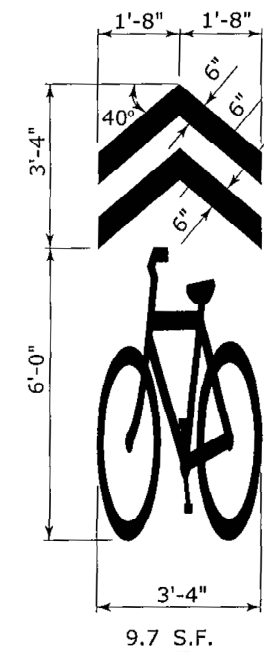
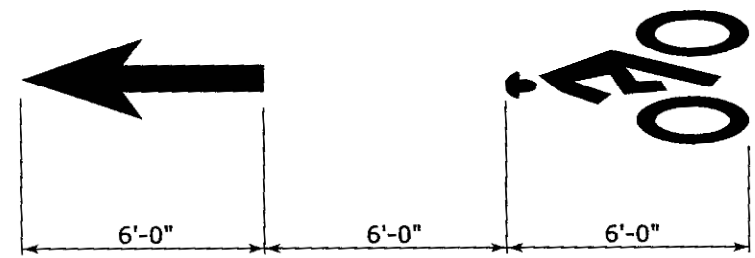


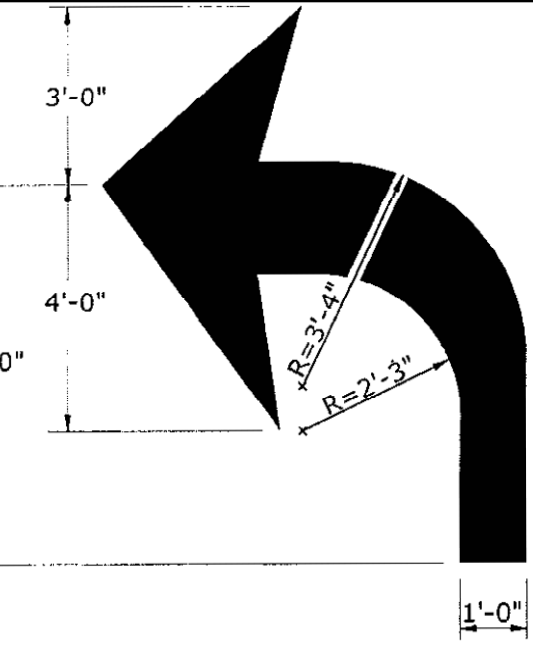
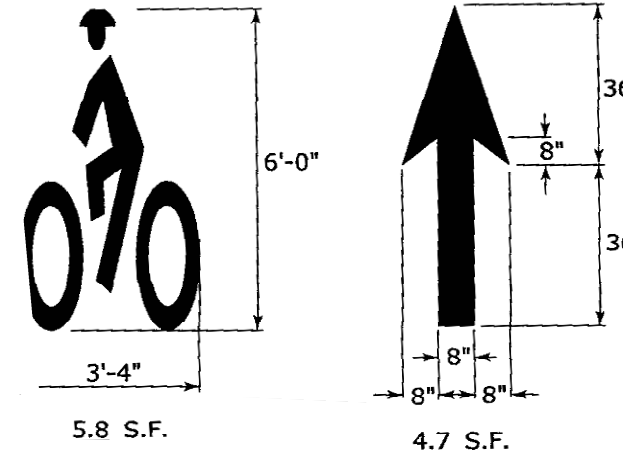
SHARED LANE SYMBOL MARKING



TYPICAL LONGITUDINAL SPACING

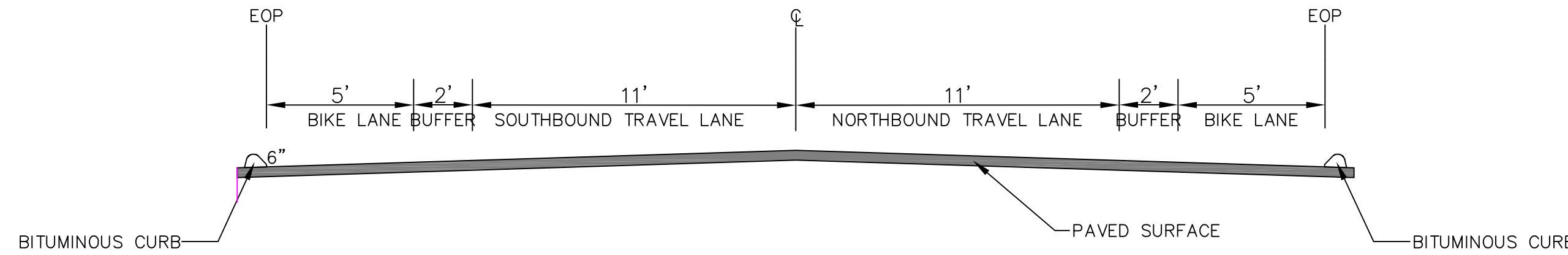


BICYCLE LANE SYMBOL MARKINGS



TURN ARROW
NOT TO SCALE

NOTES:
1. ALL WORK BY PAVEMENT MARKING CONTRACTOR EXCEPT AS NOTED.
2. WORK BY THE TOWN OF NEWINGTON:
A. INSTALL SIGNS.
B. APPLY BLACK PAINT.
C. REPLACE EXISTING GRATES WITH BICYCLE-FRIENDLY GRATES.



LANE MARKING TYPICAL
ALTERNATE SECTION

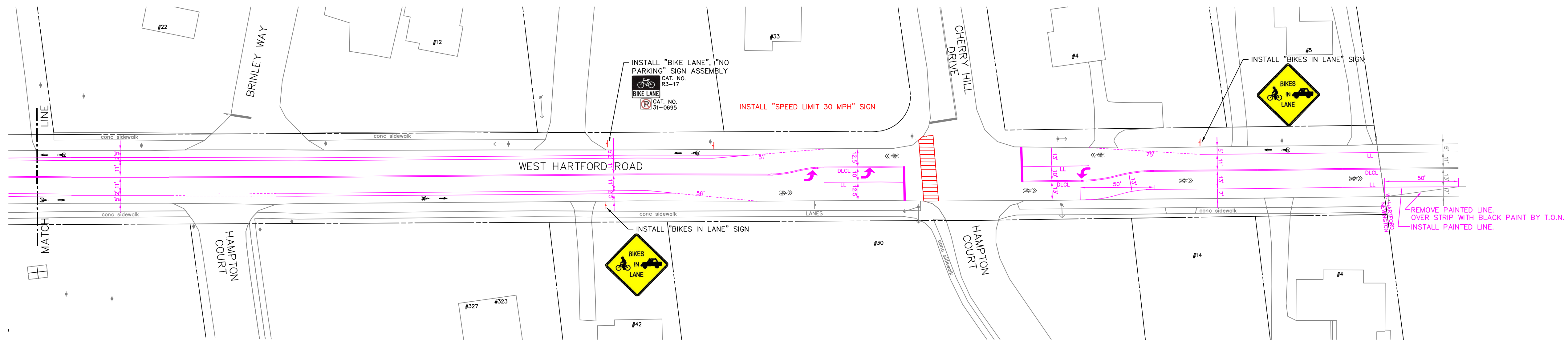
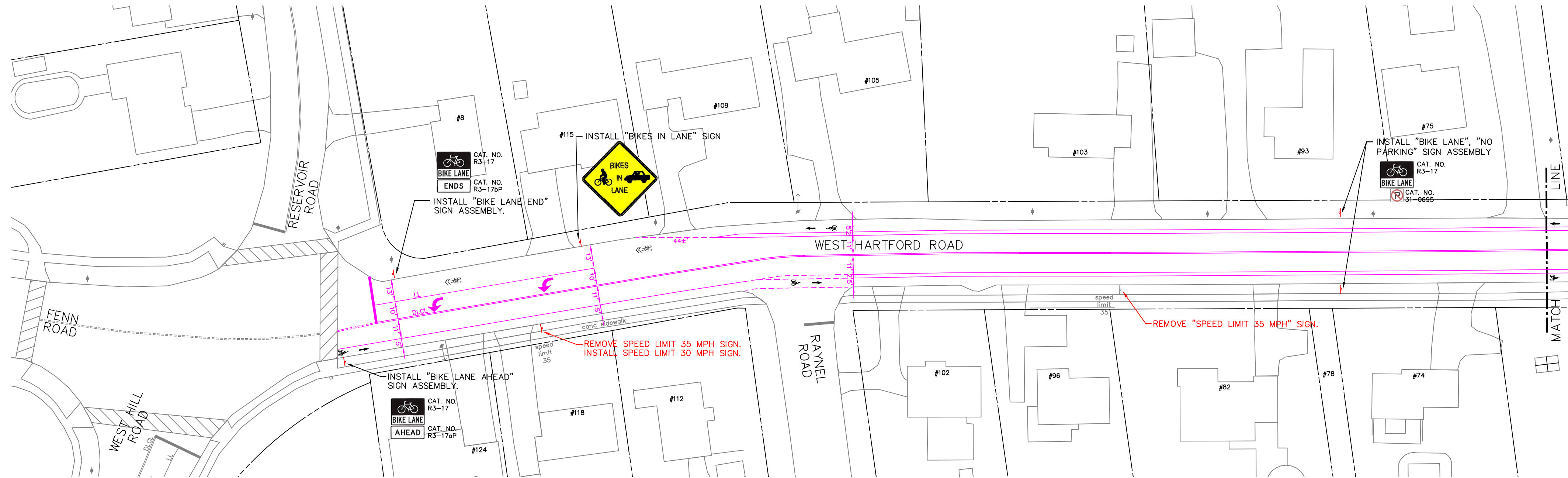
WEST HARTFORD ROAD

GRAPHIC SCALE



(IN FEET)
1 inch = 40 ft.

EXISTING	LEGEND	PROPOSED
—	EDGE OF PAVEMENT	—
⊙	UTILITY POLE	⊙
⊙	UTILITY POLE WITH GUY	⊙
#17	HOUSE NUMBER	#17
⊙	SANITARY MANHOLE	⊙
⊙	CATCH BASIN	⊙
⊙	SIGN	⊙
EL	EDGE LINE (WHITE)	EL
LL	LANE LINE (WHITE)	LL
DYCL	DOUBLE YELLOW CENTER LINE	DYCL
↩	TURN ARROW	↩
▬▬▬	CROSS WALK	▬▬▬
▬▬▬	STOP BAR (WHITE)	▬▬▬



TOWN OF NEWINGTON
ENGINEERING DEPARTMENT

BIKE LANE LAYOUT WITH BUFFER AND
PAVEMENT MARKING PLAN FOR
WEST HARTFORD ROAD
PREPARED FOR
TOWN OF NEWINGTON
200 GARFIELD STREET
NEWINGTON, CT 06111

DATUMS:

HORIZONTAL: NAD 83
VERTICAL: NAVD88

PROJECT	21003
DATE	06 / 11 / 2021
DRAWN	JHD
CHECK	GJF
SHEET	1 OF 1
SCALE:	1" = 40'

REVISIONS: